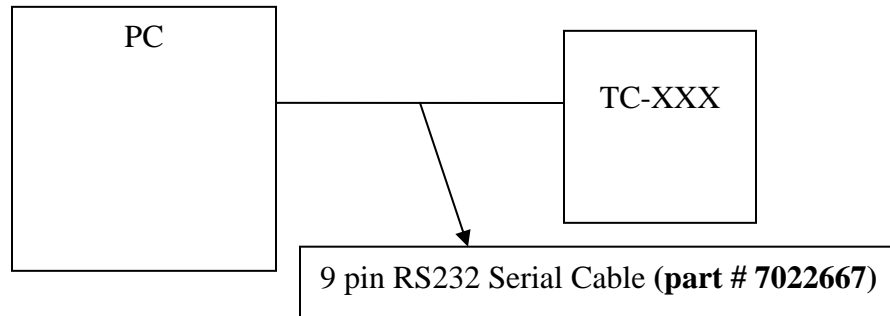


Did you know...

- Techne's Thermal Cyclers can be connected to a computer for low volume or high throughput applications using Gensoft, a software package which can be downloaded free of charge from Techne's website www.techneusa.com
- Protocols can be edited, created, saved or deleted from the computer
- Up to 32 Techne cyclers can be connected and run through a PC
- Now let me tell you how to connect thermal cyclers to a PC

Connecting one TC-XXX* Thermal cycler to a PC

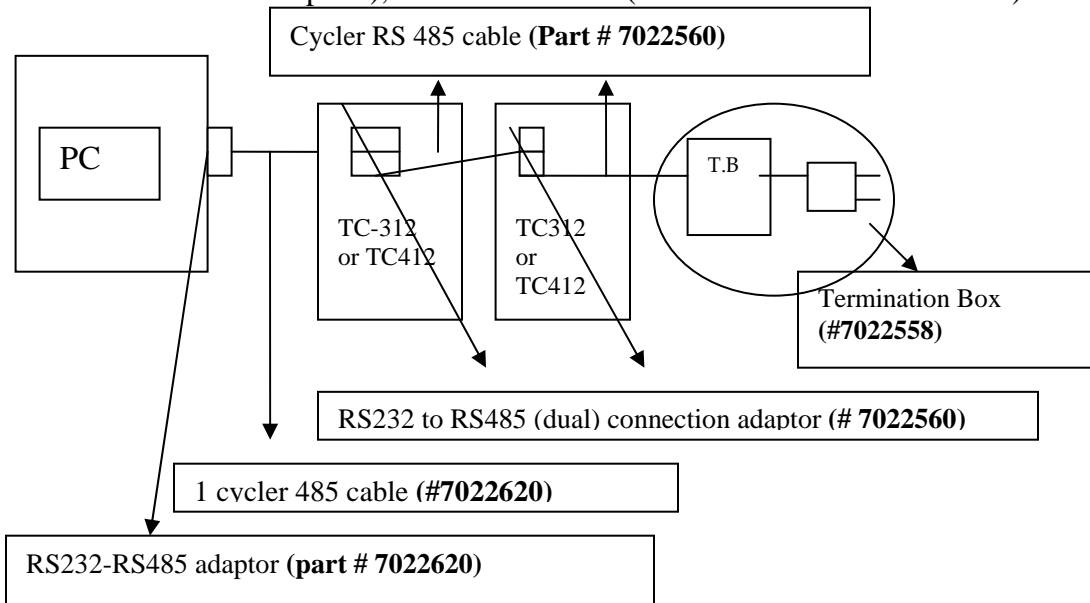
Cable: one 9 pin RS232 serial cable (**part #: 7022667**)



* XXX = either 312, 412, or 512

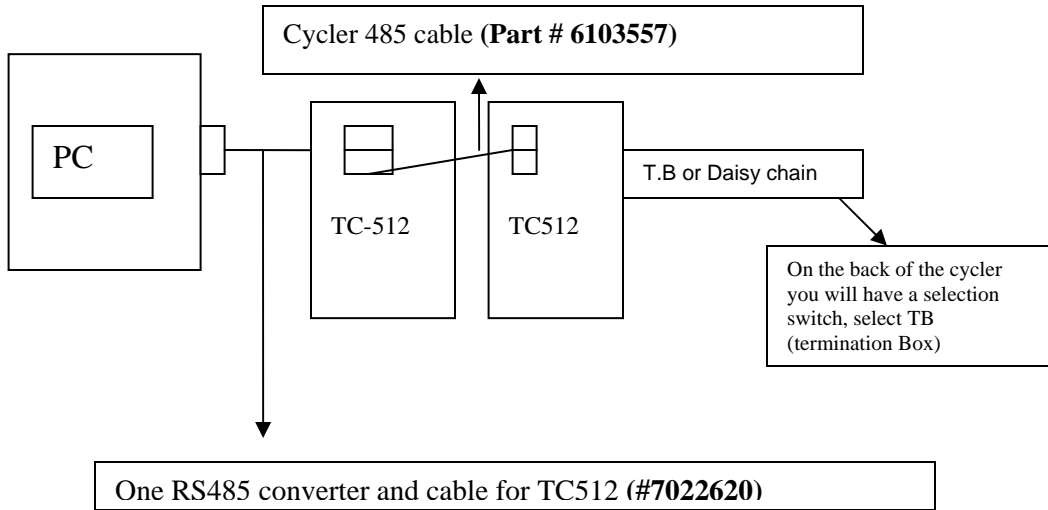
Connecting 2 thermal cyclers (TC312/TC412 and TC312/TC412) to a PC

You will need one **7022620** (One RS485 converter and cable set) **7022560**: (set of two RS485 cables & adaptors), and one **7022558** (termination box and software)

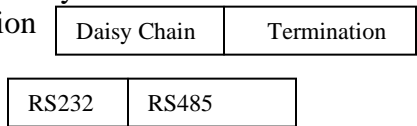


Connecting Two TC512 to a PC

You will need one **7022620** (RS485 converter and cable) and one **6103557**(RS485 cycler cable)

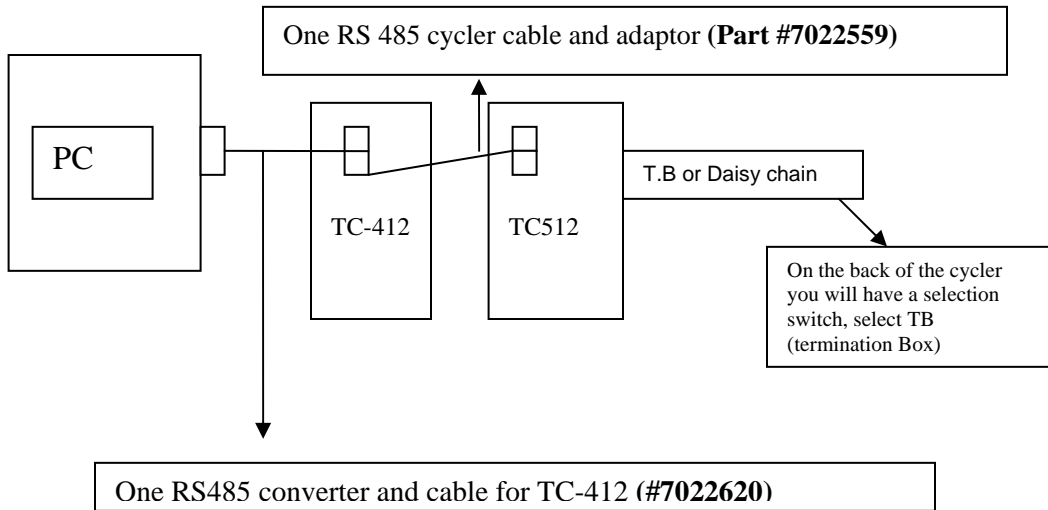


TC512 doesn't require the termination box and the RS232to 485 adaptor...both of these are built in the TC-512 cycler. If the last unit in a daisy chain is TC512, turn the switch toward termination

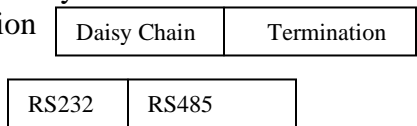


Connecting One TC-412 and oneTC512 to a PC

You will need one **7022620** (485 converter & cable), one **7022559** (one RS485 cycler cable & adaptor)

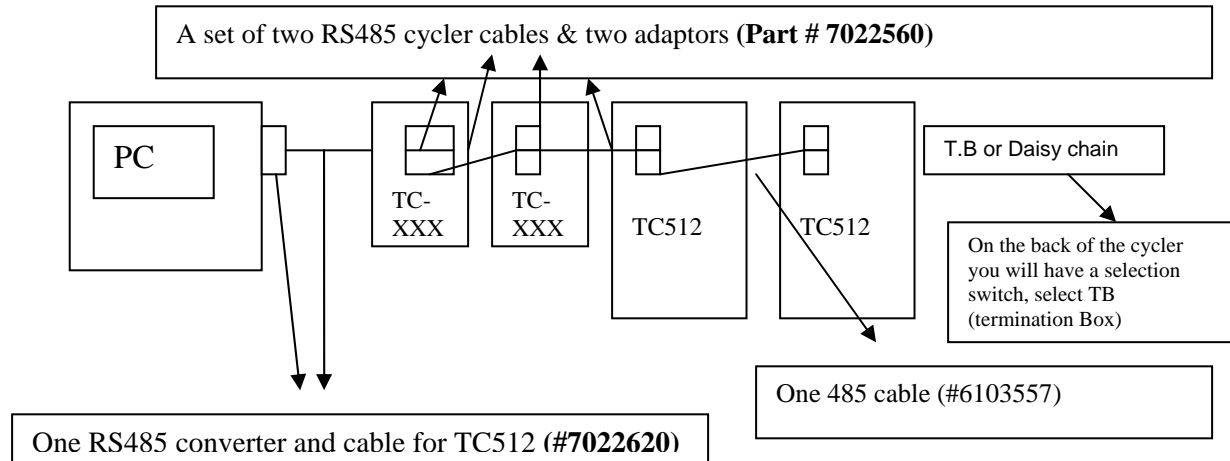


TC512 doesn't require the termination box and the RS232to 485 adaptor...both of these are built in the TC-512 cycler. If the last unit in a daisy chain is TC512, turn the switch toward termination



Connecting Two TC512s and Two (TCXXX/Techgene, Touchgene...) to a PC

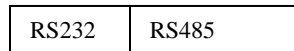
You will need one **7022620** (one 485 converter and cycler cable set), one **7022560** (consists of two RS485 cycler cables and 2 adaptors), and **6103557** (one RS485 Cycler cable for TC-512)



TC512 doesn't require the termination box and the RS232to 485 adaptor...both of these are built in the TC-512 cycler. If the last unit in a daisy chain is TC512, turn the switch toward termination

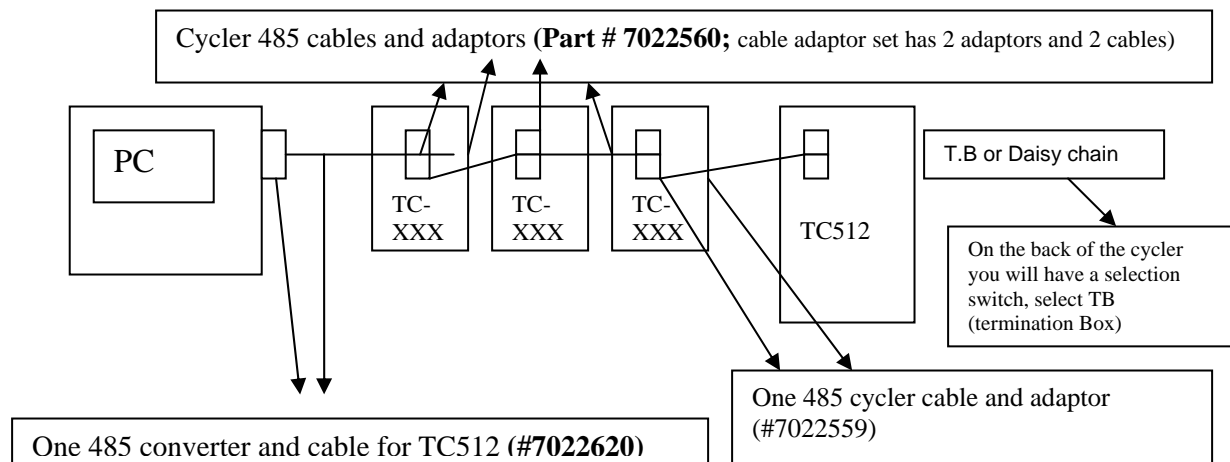
Daisy Chain	Termination
-------------	-------------

and on the RS232/RS485 box turn the switch toward RS485



Connecting One TC512 and Three (TCXXX/Techgene, Touchgene...) to a PC

You will need one Gensoft Adaptor (7022560), one 485 converter and cable set (7022620) and one 485 cycler cable and adaptor (7022560)



If you have any questions feel free to contact me at 800-225-9243 ext 313 or at aminas@techneusa.com